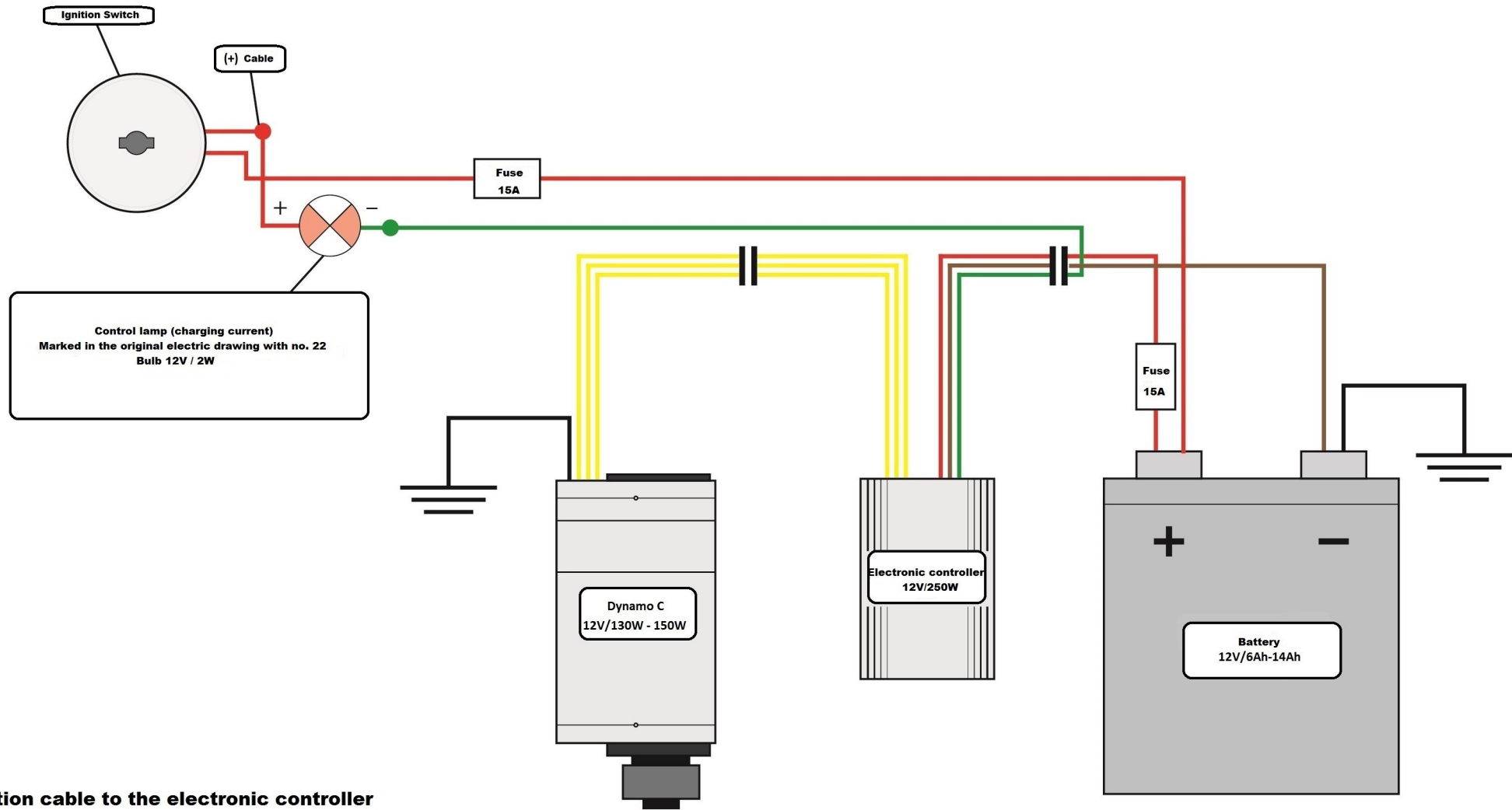


Electronics plan Dynamo C 12V/150W with (-) to the mass



Connection cable to the electronic controller

- Mass cable (-)
- Plus cable (+)
- Minus cable Control lamp current charging (-)

